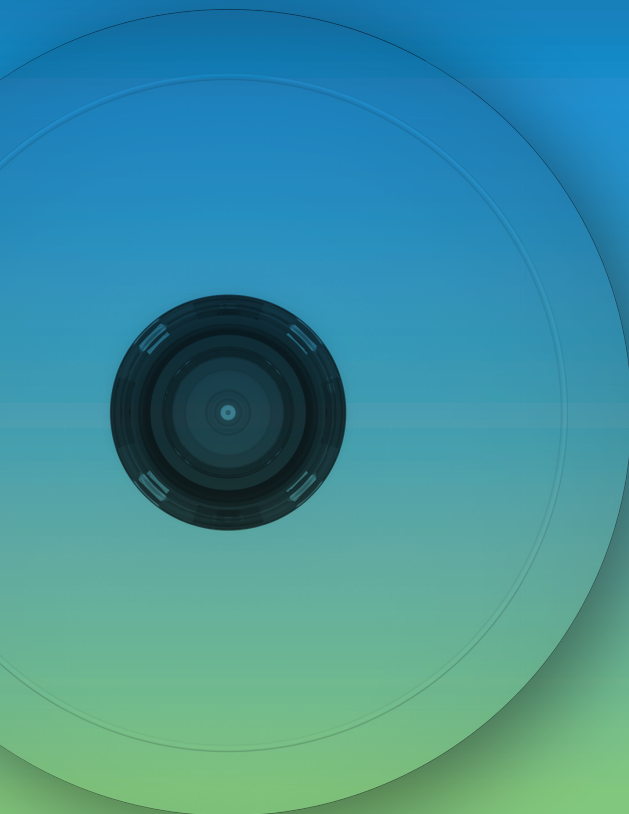
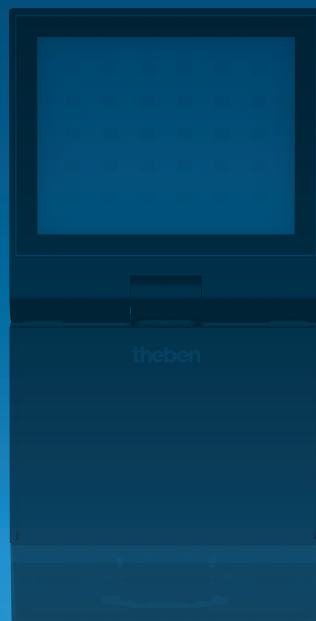
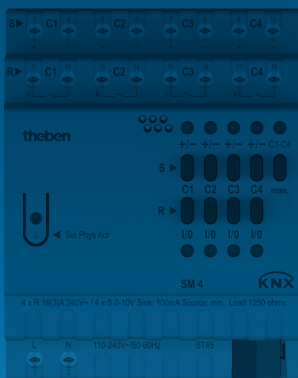


Come and see Theben at the Light + Building trade fair in Frankfurt from 2 to 6 October 2022.

→ Hall 12.0, Stand E03

theben

Highlights #02 | 2022



Building automation since 1921



Michael Matthesius

Michael Matthesius
Chief Technical Officer

Thomas Sell

Thomas Sell
Sales Director

Contents

Our complete product range ..	4
LUXORliving	6
KNX	21
Detectors	34
Time and lighting control	40

More information is available at www.theben.de/en

Dear customers and partners

On 2 October, the Light + Building trade fair will finally be opening its doors again after four years! We would be delighted to see you at our exhibition stand in Hall 12.0, E03. Pay us a visit and discover a whole host of exciting experiences!

In our **New Work Cube**, you can explore the many benefits of our products, such as the new DALI-2 Room Solution. Human centric lighting (HCL) improves our concentration for work and study. And thanks to the DALI-2 RS Plug app, the system is quick and easy to set up. Then there's our optical presence detector thePixa, also in the New Work Cube, which offers some fascinating possibilities for flexible and sustainable building use.



Paul Sebastian Schwenk
Chairman of the Board of Management

In our **LUXORliving cube**, you can discover the comfort and security benefits of a smart home and learn about some of our new partners, such as IFTTT and Bosch Home Connect Plus. After all, LUXORliving is based on a certified KNX system, meaning it is compatible with many IoT solutions and therefore a safe, future-proof investment.

You'll also be able to explore our Theben classics, such as digital time switches and many other products **that make a significant contribution to saving energy, which is especially important in these** times. And of course, that's without ever compromising on comfort or convenience.

Come and see us at Light + Building and book your free day ticket at:
<https://www.theben.de/lbgutschein/>

We look forward to seeing you!

Our complete product range for the intelligent buildings of tomorrow Products, solutions and systems



Smart home system

Since 1992, more from page 6



House and building automation

Since 1992, more from page 21



Weather station



Actuator technology



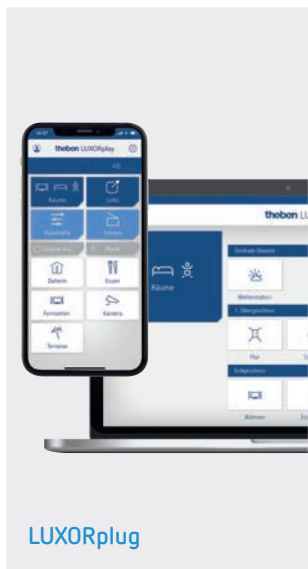
Weather station



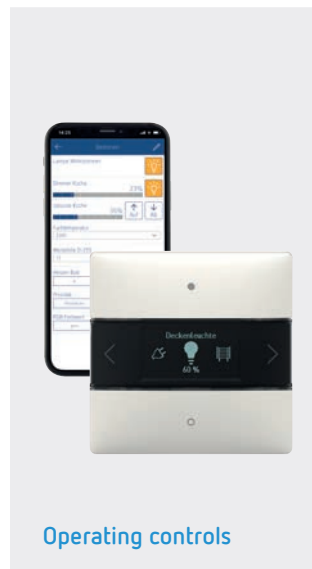
Actuator technology
Gateways
(KNX, DALI)



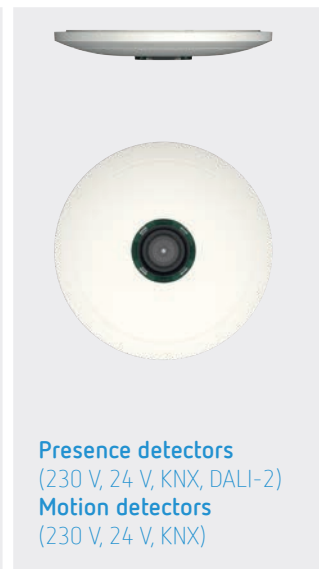
Operating controls



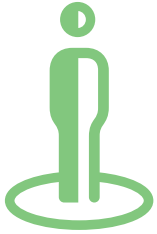
LUXORplug



Operating controls

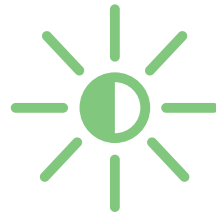


Presence detectors
(230 V, 24 V, KNX, DALI-2)
Motion detectors
(230 V, 24 V, KNX)



Presence & motion detectors, lighting

Since 2007, more from page 34

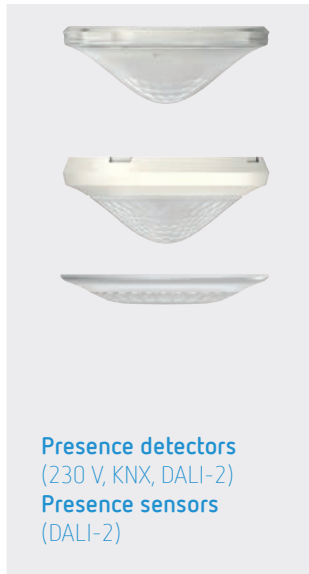


Time, light & climate control

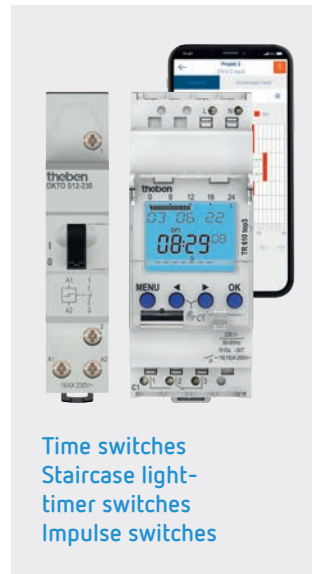
Since 1921, more from page 40



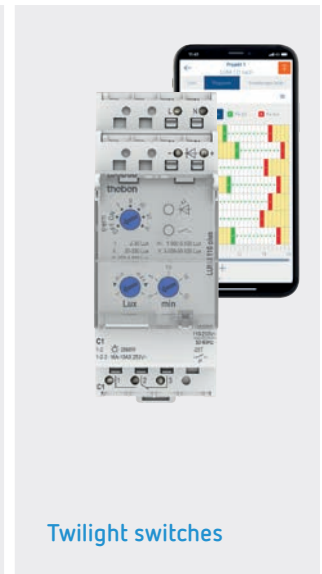
Motion detectors
(230 V, KNX)



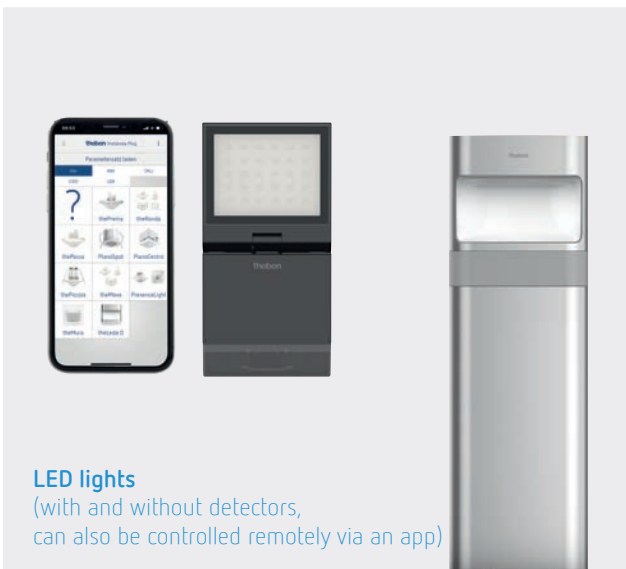
Presence detectors
(230 V, KNX, DALI-2)
Presence sensors
(DALI-2)



Time switches
Staircase light-timer switches
Impulse switches



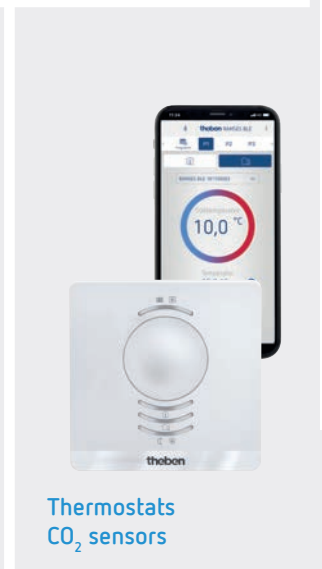
Twilight switches



LED lights
(with and without detectors,
can also be controlled remotely via an app)



Dimmers



Thermostats
CO₂ sensors

iON tactile sensors and room controllers

Superb functionality

Available in a range of brilliant colours



LUXORliving iON tactile sensors and room controllers are an excellent addition to Theben's range of binary inputs. iON tactile sensors are flexible and cut a stylish figure in every room thanks to their frameless design and brilliant colours.

Configuration is carried out using the free LUXORplug operating software. Coloured LEDs signal the current status of the tactile sensor. This allows you to see the status of the outdoor light, for instance, without having to go outside. The brightness of the status LEDs adapts to the ambient light: If the room gets darker, the status LEDs are dimmed automatically, preventing disruptive light interference at night. During the day, the LEDs shine more brightly and are easily visible.





LUXORliving iON2

LUXORliving 1-way tactile sensor with two operating points. The integrated temperature sensor enables the room temperature to be controlled in conjunction with the corresponding heating actuators.

- Switch light on and dim light
- Control blinds
- Initiate scenes
- Measure temperature
- Show status



LUXORliving iON4

LUXORliving 2-way tactile sensor with four operating points. The integrated temperature sensor enables the room temperature to be controlled in conjunction with the corresponding heating actuators.

- Switch light on and dim light
- Control blinds
- Initiate scenes
- Measure temperature
- Show status



LUXORliving iON8

You can select a suitable icon for each of the ten functions on the iON8 room controller from a library. The icon is also accompanied by individual function names and the current status (on/off/dimming value/location). This makes the room controller easier to use and navigate. The brightness of the LCD display automatically adapts to the surrounding brightness. If the room is dark, the backlight on the display is dimmed, preventing disruptive lighting effects. During the day, the display shines more brightly, so it is still easy to read when there is lots of ambient light.



LUXORliving iON2 BK

LUXORliving iON4 SR

LUXORliving iON8 WH

Description

LUXORliving iON2

- Tactile sensor with 2 buttons and 2 status LEDs with integrated temperature sensor
- Control of functions: switching, dimming, blinds, scenes in the LUXORliving system
- Multicoloured status LEDs
- Automatic brightness control of status LEDs based on surrounding brightness
- Integrated temperature sensor for room temperature regulation with LUXORliving heating actuators
- Vertical installation of 2 iON tactile sensors possible on standard double plug with accessories (standard combination spacing 71 mm)
- Clear cover for custom label included in scope of supply

LUXORliving iON4

As with LUXORliving iON2, but including:

- Tactile sensor with 4 buttons and 4 status LEDs with integrated temperature sensor

LUXORliving iON8

- Room controller with integrated room temperature controller
- LC display to show functions, icons and values
- 10 freely configurable functions
- Displays various icons for each of the functions
- Control of functions: switching, dimming, blinds, scenes, temperature control
- Automatic brightness control of the display based on surrounding brightness
- Vertical installation of 2 iON tactile sensors possible on standard double plug with accessories (standard combination spacing 71 mm)

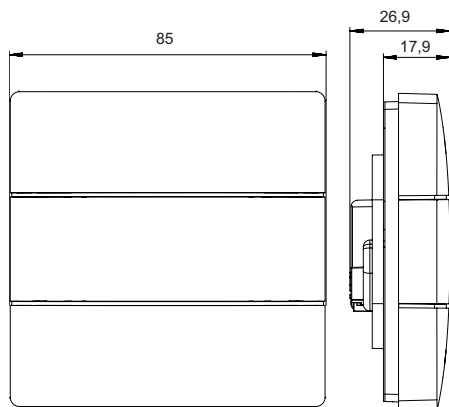
Product selection

Colour	Type	Item no.
White ○	LUXORliving iON2	4800412
	LUXORliving iON4	4800414
	LUXORliving iON8	4800418
Black ●	LUXORliving iON2 BK	4801412
	LUXORliving iON4 BK	4801414
	LUXORliving iON8 BK	4801418
Silver ●	LUXORliving iON2 SR	4802412
	LUXORliving iON4 SR	4802414
	LUXORliving iON8 SR	4802418

Technical data

	LUXORliving iON
KNX operating voltage	Bus voltage, ≤ 12.5 mA
Ambient temperature	-5 °C ... $+45$ °C
Protection rating	IP 20
Protection class	III

Scale drawings



Accessories



2-way iON mounting plate

↳ Item no.: 9070822



2-way iON mounting plate BK

↳ Item no.: 9070855



= YES

LUXORliving IFTTT Many possible combinations with smart products and online services



IFTTT stands for If This Then That and is the best way to integrate apps, devices and services. Integrating LUXORliving with the IFTTT service opens up a wide range of possible combinations with other smart products and web-enabled services relating to health, productivity and social media.

With IFTTT, end customers can set rules by combining triggers (this) and resulting actions (then). This means that LUXORliving can interact with over 700 different services and can also be combined, for example, with household appliances, audio/video, locking systems, irrigation systems, notification services and much more.



From A for Alexa to Z for Zoom – including Facebook, a variety of Google services, Philips Hue, Twitter and Spotify. You can find more details about the relevant providers here: <https://ifttt.com/explore/services>



IFTTT: How it works

With IFTTT, users can create “Applets”. Applets are similar to “If-Then” rules.








The components of an Applet are:

- “Triggers”
- “Queries”
- “Actions”

The “trigger” initiates the Applet, i.e. an If-Then rule.

The “query” checks for a certain set of circumstances and then triggers the “action”, which then leads to the predefined end result.

Examples of possible automation

Trigger	Query	Action
Turning off the garden irrigation system if the LUXORliving weather station detects rain.	 = YES	 = OFF
Starting the robot vacuum cleaner if the “Empty house” scene is initiated in LUXORliving.	  = YES	 = ON
In LUXORliving, the “Empty house” scene is initiated when the smartphone leaves the geofence*.	 = YES	 = ON

*Geolocalised boundary on the ground or in the air.



"Good morning"



= ON



= ON





LUXORliving Home Connect Plus

Smart products and functions

Many possible combinations

By integrating LUXORliving with the Home Connect Plus platform, users can control and automate devices and functions from various manufacturers directly via the Home Connect Plus app. This means that you can adapt your smart home to your individual needs in the house, in the garden or regarding security.

Home Connect Plus: How it works

Automation enables simple "If-Then" interactions. These interactions can be activated manually or automatically (via time control) and linked with certain conditions.

Of course, all integrated devices and functions can also be operated individually via the Home Connect Plus app.

Users can also create "boards" with various functions and automation options. Boards can represent "rooms" or you could also, for example, create individual boards such as "morning", "midday" and "evening", which contain the relevant functions and automation sequences for the respective time of day.



You can explore the wide range of compatible products, which includes alarm systems, lighting and switches, household technology and heating systems, and find details about our partner network here:

www.home-connect-plus.com/de/en/works-with

Examples of possible automation

Trigger	Query	Condition	Action
Initiating the "Good morning" automation sequence if the LUXORliving scene "Good morning" is activated.	The LUXORliving scene "Good morning" is initiated (Theben)	None	Switch on coffee machine and play playlist via the home sound system = ON = ON
Initiating the "Welcome home" automation sequence	Door is unlocked	Time between 7 and 11 pm	Switch on hall lighting (LUXORliving) = ON
Initiating the "Bedtime" automation sequence	The LUXORliving scene "Goodnight" is initiated (Theben)	None	Lock door, close garage door, switch off home sound system, send robot vacuum cleaner to charging station = CLOSED = CLOSED = OFF = OFF

For electric heating Connected directly LUXORliving flush-mounted electric heating actuator



With the KNX-based smart home system LUXORliving, you can now also integrate electric heating into your smart home. This is thanks to the new flush-mounted actuators LUXORliving E1 and LUXORliving E1 S RF. With both wired and wireless versions available, these actuators for electric heating systems are ideal for auxiliary heaters, towel radiators and infrared heaters.

- Integrated temperature controller
- Can also be integrated as an additional stage
- Offers a direct connection option for a floor sensor
- High switching capacity of 3680 W or 2000 W
- Flexible installation options thanks to compact, flush-mounted design
- Suitable for new buildings and for retrofitting



Want to expand your smart home? No problem!

LUXORliving flush-mounted wireless actuators

100% wider range
200% more transmission power

With its new wireless actuators, Theben is offering a practical way to extend an existing LUXORliving smart home system. This means, for example, that extensions such as conservatories can be easily integrated into the existing wired system by wireless transmission. Thanks to the media coupler, it is easy to link wired and wireless components. Push buttons, window contacts and temperature sensors can be directly integrated via the inputs of the flush-mounted actuators. And if you prefer a KNX installation in the future, simply continue to use all LUXORliving products. Sure and safe!

And speaking of safety: Communication between the wireless components is of course encrypted. This leaves no opportunities open for data theft or tampering.



**Wireless dimming actuator
LUXORliving D1 S RF**

The universal dimmer not only stands out due to its automatic load detection, but also thanks to its even and infinite dimming of LED lamps.



**Wireless switch actuator
LUXORliving S1 S RF**

Thanks to its NO contact with zero-cross switching and its high switching capacity, the switch actuator is a flexible all-rounder with a wide range of possible uses.



**Wireless blind actuator
LUXORliving J1 S RF**

The blind actuator is suitable for the manual or automatic control of blinds, awnings or roller blinds. Without huge amounts of cabling work.



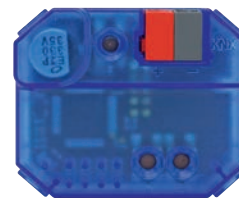
**Wireless heating actuator
LUXORliving H1 S RF**

The heating actuator is perfect for the silent control of thermal actuators. Thanks to the integrated temperature monitoring, it ensures improved operating safety, e.g. in the event of overload.



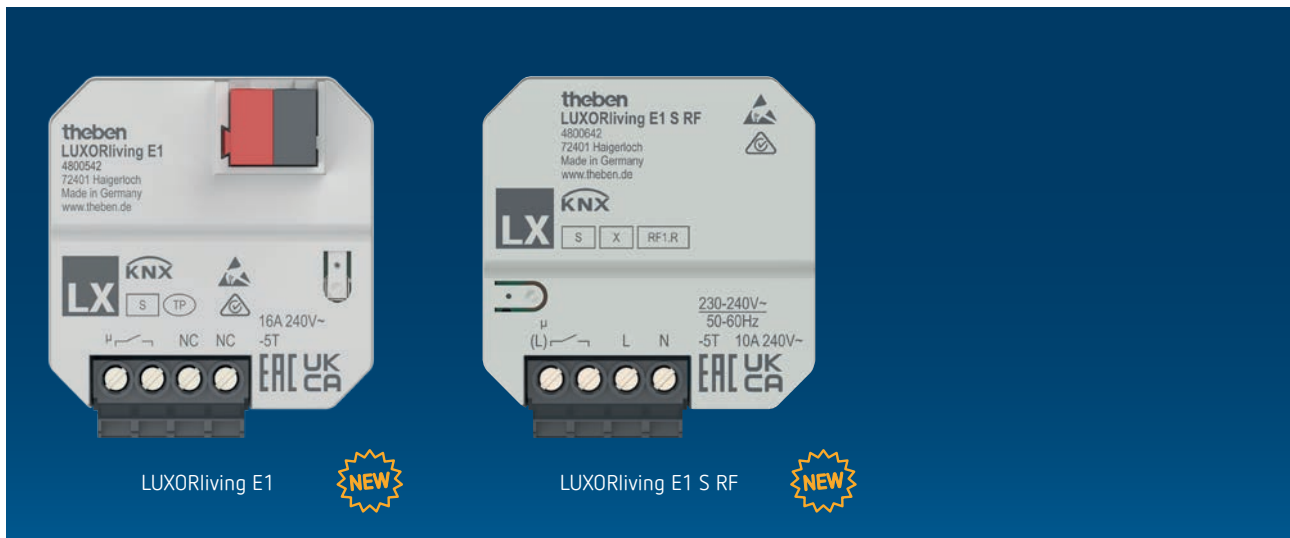
**Wireless push button interface
LUXORliving T4 S RF**

The push button interface enables the integration of 4 conventional push buttons and also offers an input for measuring the temperature. The 4-way button module (9070806) with integrated temperature sensor can also be used as an alternative to conventional push buttons.



**Media coupler
LUXORliving RF1**

The media coupler for system extension with wireless devices connects wireless LUXORliving RF devices with the twisted-pair bus.



Description

Shared functions

- 1-way flush-mounted actuators for electric heating systems LUXORliving
- Easy installation thanks to highly compact housing
- For the direct connection of electric heating systems with high switching capacity
- Integrated temperature controller, can also be configured as an auxiliary heater
- "Additional stage" function for easy control of a second boiler
- 2 binary inputs for floating contacts such as buttons, switches, window contacts, temperature sensor (input I2)
- Integrated temperature monitoring for increased operating safety, e.g. in the event of overload
- The binary inputs are assigned to the output as standard (function test before programming)

LUXORliving E1

- 1-way flush-mounted actuator for electric heating systems

LUXORliving E1 S RF

- 1-way wireless flush-mounted actuator for electric heating systems

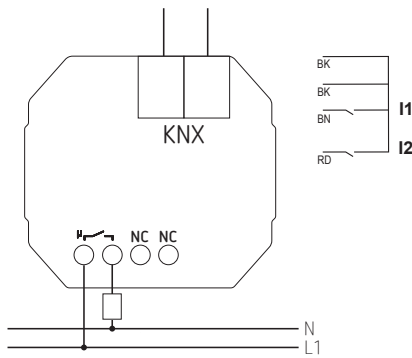
Product selection

Configuration type	Number of channels	Type	Item no.
Actuator for electric heating systems	1	LUXORliving E1	4800542
Wireless actuator for electric heating systems	1	LUXORliving E1 S RF	4800642

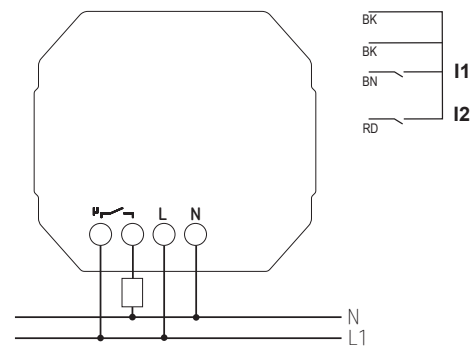
Technical data

	LUXORliving E1	LUXORliving E1 S RF
KNX operating voltage	Bus voltage, ≤ 4 mA	
Operating voltage	-	230 – 240 V AC
Frequency	-	50 – 60 Hz
Switching capacity at 240 V AC, $\cos \varphi = 1$)	16 A	10 A
Minimum load	12 V/100 mA	
Ambient temperature	-5 °C ... +45 °C	
Protection rating	IP 20	
Protection class	II	

Connection example



LUXORliving E1



LUXORliving E1 S RF

Accessories



RAMSES IP65 temp. sensor
↳ Item no.: 9070459

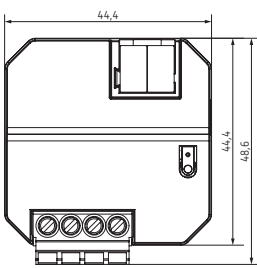


Floor sensor
↳ Item no.: 9070321

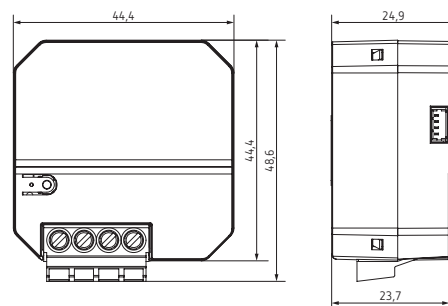


Flush-mounted temperature sensor
↳ Item no.: 9070496

Scale drawings



LUXORliving E1



LUXORliving E1 S RF

theMura

Motion/presence detectors for common switch ranges

Theben theMura flush-mounted motion and presence detectors are suitable for universal use with the switch ranges of all leading manufacturers. The scope of supply depends on the respective switch range. The easy and flexible solution for energy-efficient lighting control.

More information www.theben.de/themura-en



**Motion detector
theMura S180 KNX UP**

with integrated push button
1 x light channel
1 x presence channel
3 x logic channel

**Presence detector
theMura P180 KNX UP**

with integrated push button
2 x light channel
2 x presence channel
6 x logic channel
Orientation light
Temperature sensor
Acoustic sensor
Push button interface



**Motion detector
LUXORliving BI180**

with integrated push button
1 x light channel
Temperature sensor



3-wire motion detector

1 x light channel
theMura S180-100 UP
with Theben frame
theMura S180-100 B UP
without cover

3-wire motion/presence detector

Slave
theMura S180 Slave UP
with Theben frame
theMura S180 Slave B UP
without cover



3-wire presence detector

1 x light channel
1 x presence channel
Orientation light
Acoustic sensor
theMura S180-101 UP
with Theben frame
theMura S180-101 B UP
without cover

2-wire motion detector

for staircase light timer switches
theMura S180-100 2W UP
with Theben frame
theMura S180-100 2W B UP
without cover

Universal genius theMura adapter frame Clever and aesthetic



theMura base unit
(theMura S180 ... B UP)

Accessory set consisting of push button cover, adapter frame and optional plastic mounting plate, e.g. JUNG adapter frame + push button cover (Item no. 9070789)

Frame from the corresponding switch range manufacturer

House and building automation

LUXORliving smart home system, Motion detectors



Description

- Motion detector (PIR) for indoor wall installation
- Rectangular detection area 170°; 14 x 17 m (238 m²) at 1.2 m installation height
- Mixed light measurement suitable for fluorescent lamps (FL/PL/ESL), halogen/ incandescent lamps and LEDs
- Integrated temperature sensor
- Integrated push button
- Extension of detection area via master / slave switching
- Adjustable sensitivity
- With Theben bezel frame
- Also suitable for many common switch ranges (with accessories), see www.theben.de/theMura

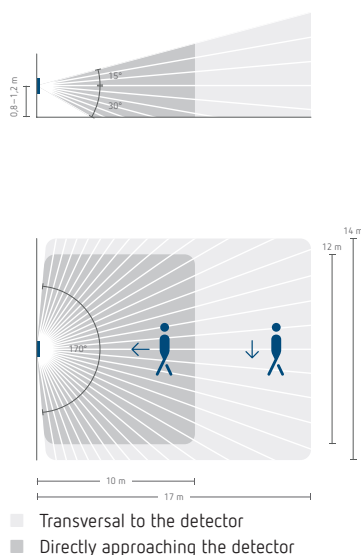
Product selection

Type	Item no.
LUXORliving BI180 WH	4800350

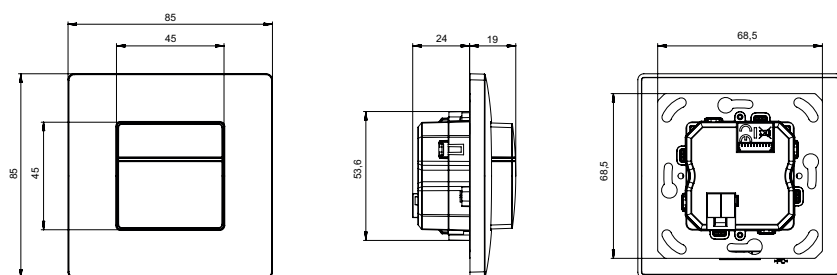
Technical data

LUXORliving BI180 WH			
KNX operating voltage	Bus voltage, < 10 mA	Size of flush-mounted box	Size 1
Brightness setting range	5 – 3000 lx	Protection rating	IP 20
Ambient temperature	-15 °C ... +45 °C	Protection class	III

Detection area (rectangular)



Scale drawings



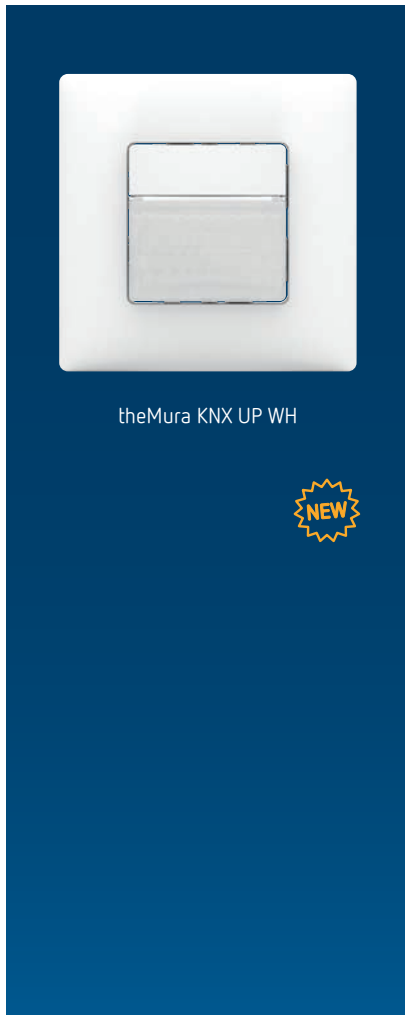
Accessories

theSenda B app/universal remote control
↳ Item no.: 9070985

theSenda P service remote control
↳ Item no.: 9070910

theSenda S user remote control
↳ Item no.: 9070911

Adapter frame 45A
↳ Item no.: 9070910



Description

- Passive infrared presence/motion detector for flush-mounted wall installation
- Rectangular detection area 170°; 14 x 17 m (238 m²) at 1.1 m installation height
- For the KNX bus system
- KNX Data Secure
- Choice of fully or semi-automatic operation
- Integrated, freely configurable push button (can be deactivated)
- Manual override possible via external KNX push button
- Targeted brightness measurement (mixed light measurement)
- Teach-in function
- Block functions
- HVAC channel without effect of brightness
- Configurable switch-on delay and HVAC channel time delay
- Extension of detection area via master/slave or master/master configuration
- Adjustable detection sensitivity
- Test mode for checking function and detection area
- Settings adjusted via ETS software (full range of functions)
- Area restrictions in scope of supply
- With Theben bezel frame
- Also suitable for many common switch ranges (with accessories), see www.theben.de/theMura

theMura S180 KNX UP WH

- Motion detector
- 1 light channel and 1 HVAC channel
- Switching
- Lighting dimmable in switching mode with or without effect of daylight
- 3 logic channels (AND, OR, XOR)

theMura P180 KNX UP WH

- Presence detector
- 2 light channels and 2 HVAC channels
- Switching or constant lighting control with standby function (orientation light)
- Lighting dimmable in switching mode with or without effect of daylight
- Easy to calibrate brightness measurement
- Short-term presence
- Selectable control speed
- Aura effect function
- Scene functionality
- Integrated orientation light (white)
- Integrated temperature sensor
- Acoustic function
- 2 binary inputs
- 6 logic channels (AND, OR, XOR)
- Limited setting options with theSenda B app/universal remote control
- Limited setting options with theSenda P service remote control
- Optional theSenda S/theSenda B user remote control for manual override

Product selection

Type of installation	Product type	Channel	Colour	Type	Item no.
Wall installation	Motion detector	1 x light 1 x HVAC	White ○	theMura S180 KNX UP WH	2069650
	Presence detectors	2 x light 2 x HVAC	White ○	theMura P180 KNX UP WH	2069655

Technical data

	theMura S180 KNX UP WH	theMura P180 KNX UP WH
KNX operating voltage	Bus voltage, < 10 mA	Bus voltage, < 12 mA
Installation height	0.8 – 1.2 m	
Brightness setting range	5 – 3000 lx	
Lighting time delay	30 s – 60 min	
HVAC time delay	10 s – 120 min	
HVAC switch-on delay	10 s – 30 min/not active	
Size of flush-mounted box	Size 1	
Temperature measurement range	–	–5 °C ... +45 °C
Ambient temperature	–15 °C ... +45 °C	
Protection rating	IP 20	

See page 14 for detection area, scale drawings and accessories

Impressive added value For architects, building operators and many more

The detection results are visually represented in the form of a heat map and can be accessed, along with detailed occupancy statistics, in the thePixa Plug app. This information triggers a predefined action in the KNX building control system, such as starting up the ventilation systems in a fully occupied meeting room.

The visualisation of detected areas in the heat map offers a variety of benefits for you as a building operator. For example, you can optimise product displays in department stores by identifying which products customers stop to look at most often and show the greatest interest in.

These detectors also deliver valuable information in office facilities: by identifying which workstations are used more or less often, you can organise an efficient desk-sharing management system. This allows for a flexible response to peak workloads. Operating and energy costs for buildings can be reduced.

Discover a new dimension of flexibility

NEW!
Now also available
as a 24 V version

Architects

You are designing a commercial building. With shops on the lower floors and open-plan offices on the upper floors. Your building contractor needs a flexible presence detector. One that is future-oriented and platform-stable. You need: thePixa

- Maximum design freedom
- GDPR-compliant solution

Planners

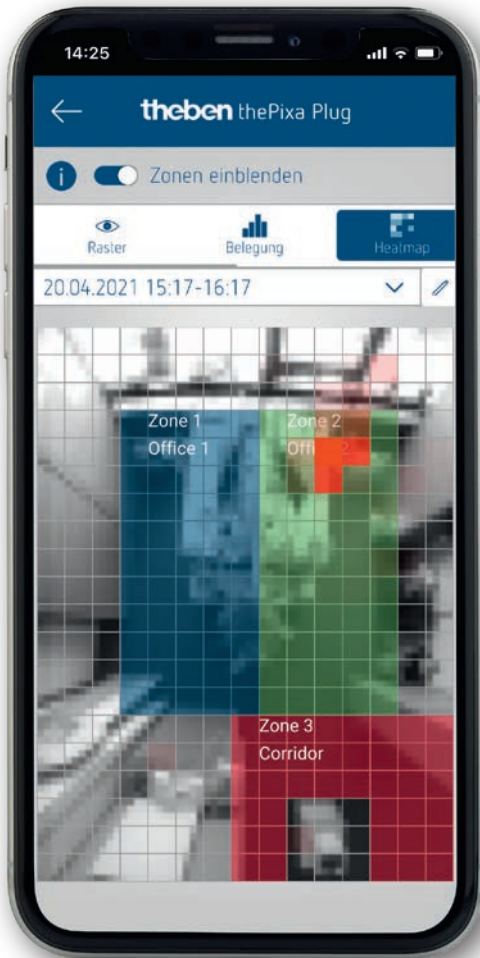
You're planning each floor of a building for a different company, with different utilisation plans that are constantly changing. You can't see into the future, but you can plan for a presence detector that will suit everyone: thePixa.

- Large detection area of up to 11 x 15.5 m
- Variable division in 6 zones
- **NEW:** 24 V and 230 V version

KNX system integrators

When you're working on KNX projects, you really value a KNX presence detector that's easy to install, simple to programme and versatile in its functionality. One that can be mounted on the ceiling and fine-tuned via app. In short: thePixa.

- Programmable from ETS 5
- Customisable and readable via thePixa Plug app



Heat map and occupancy statistics

The visualisation and evaluation of detected movement, as well as the degree and density of movement over a defined period of time, allow certain conclusions to be drawn and open up a variety of benefits.

Owners

You want your tenants to be able to freely furnish and use the rooms in your building. Over and over again, without any restrictions. That's exactly why you've chosen the optical presence detector with flexible zone configuration: thePixa.

- Easy restructuring
- Flexible utilisation
- Upgrade existing KNX detectors with 24 V version

Employees

You work in an office where the indoor climate is always perfect. The ventilation starts up when there are more people in the room, and the lighting control system takes into account which areas are actually being used. Every day – and at night! How is all that possible? With thePixa.

- Integrated temperature measurement
- Integrated infrared LEDs for night vision
- Occupancy-based ventilation control
- Aura effect function

Shopkeepers

You run a shop and have a constant overview of your displays. Where do your customers stop – and where do they not? There's a GDPR-compliant presence detector that shows what is moving, but not who is moving. It is called: thePixa.

- Heat map
- Statistical analyses

Facility management

You're in charge of coordinating facility management and you always know when and how which rooms are being used, so you can optimise cleaning schedules – a streamlined and efficient process. This is made possible by thePixa.

- Statistical analyses
- Efficient cleaning schedules

House and building automation.KNX.Presence detectors

KNX, Presence / motion detectors



Description

- Optical presence detector for flush-mounted ceiling installation
- Rectangular detection area 360°; 7.5 x 10.5 m (79 m²) at 3 m installation height, with up to 6 flexible detection zones
- For the KNX bus system, 6 light channels, 6 HVAC channels and 6 room occupancy channels
- Can detect the number and precise whereabouts of persons
- Based on images with very low resolution and works in compliance with the GDPR (a feature that has been DEKRA-tested)
- KNX Data Secure
- Restriction of the detection area via app (thePixa Plug)
- Automatic presence- and brightness-dependent control for lighting and HVAC
- Each detection zone has its own light measurement
- Adjustment of brightness measurements via thePixa Plug app
- Adjustable sensitivity of sensor
- Distinction between motion and presence
- Parallel switching of multiple presence detectors (master/slave or master/master)
- Test mode for checking function and detection area via app (thePixa Plug)
- Output of occupancy rate and occupancy density via telegram
- Integrated temperature sensor
- Ceiling installation in flush-mounted box (2-point-valve)
- Ceiling installation possible with back box (optional)
- thePixa Plug app for settings and evaluation (iOS/Android)
- KNX firmware update possible (ETS app)
- Sensor firmware update possible (thePixa Plug app)
- 6 light channels:
 - Switching or constant light control with 6 independent control systems and standby function (orientation light)
 - Switching mode with dimmable lighting
 - Free switch object with configuration type switching
 - Fully or semi-automatic
 - Brightness switching value adjustable in lux via parameter
 - Brightness set point adjustable in lux via parameter and telegram
 - Light time delay adjustable via parameter
 - Aura effect for better orientation and greater safety
 - Manual override by telegram
- 6 HVAC channels:
 - Configurable switch-on delay and time delay
 - Sending of operating mode
 - Separate block telegram
 - 6 room occupancy channels:
 - Output of number of persons
 - Control of a fan with up to 3 stages
 - 3 configurable thresholds (threshold switch)

Product selection

Type of installation	Colour	Type	Item no.
Flush-mounted ceiling installation	White	○ thePixa P360 24V KNX UP WH	2269210
	Black	● thePixa P360 24V KNX UP BK	2269212
	More colours	🌈 available on request	

Technical data

	thePixa P360 24V KNX UP
KNX operating voltage	Bus voltage approx. 10 mA
Operating voltage	24 V DC
Input power (230 V)	Day mode 38 mA; night mode 67 mA
Installation height	2.5 – 4.5 m (minimum height ≥ 2.5 m)
Setting range for brightness switching value	5 – 3000 lx/measurement off
Setting range for brightness set point value	5 – 3000 lx/light off
Lighting time delay	0 s – 60 min
Standby dimming value light	1 – 25% of the dimming value
Light standby time	0 s – 60 min/permanently on
HVAC time delay	0 s – 120 min
HVAC switch-on delay	0 s – 120 min
HVAC runtime standby	0 s – 120 min

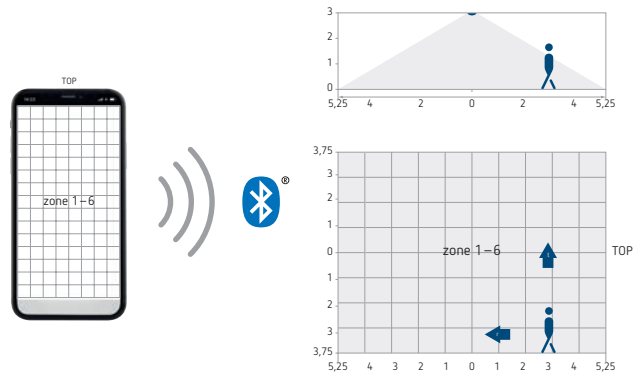
House and building automation.KNX.Presence detectors

KNX, Presence / motion detectors

	thePixa P360 24V KNX UP
HVAC standby value	0 – 255
Temperature setting range	-15 °C ... +60 °C
Size of flush-mounted box	Size 1, 2-point-valve
Ambient temperature	-5 °C ... +45 °C
Protection rating	IP 20

Detection area (rectangular)

Installation height (A)	Transverse (T) Head on to (R)	Seated (S)
2.5 m	54 m ² 6.0 m x 9.0 m	54 m ² 4.0 m x 5.5 m
3 m	79 m ² 7.5 m x 10.5 m	35 m ² 5.0 m x 7 m
3.5 m	102 m ² 8.5 m x 12.0 m	51 m ² 6.0 m x 8.5 m
4 m	128 m ² 9.5 m x 13.5 m	79 m ² 7.5 m x 10.5 m
4.5 m	171 m ² 11.0 m x 15.5 m	102 m ² 8.5 m x 12.0 m



Accessories



thePixa WH/BK back box
↳ Item no.: 9070816

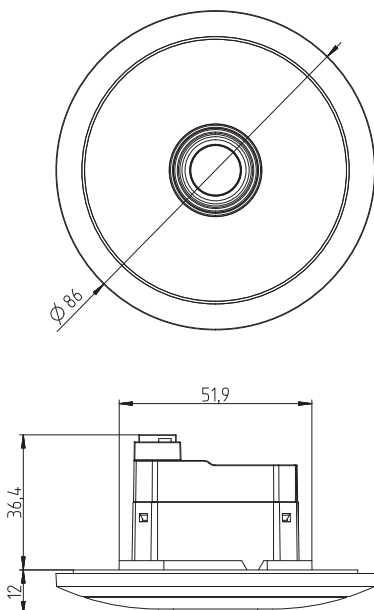


Ceiling installation box 68A
↳ Item no.: 9070992

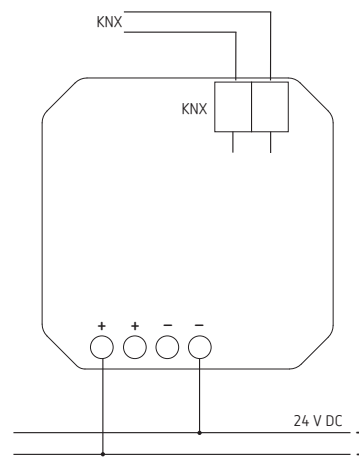


Power unit 24 V DC
↳ Item no.: 9079330

Scale drawings



Connection example





iON KNX push button and room controller

Looks great, works perfectly

Available in a range of brilliant colours



iON 102 KNX

1-way tactile sensor with two operating points and temperature sensor. Switch light on and dim light, control blinds, initiate and save scenes, measure temperature, manage colours, show status (multicolour LED).



iON 104 KNX

2-way tactile sensor with four operating points and temperature sensor. Switch light on and dim light, control blinds, initiate and save scenes, measure temperature, manage colours, show status (multicolour LED).



iON 108 KNX

KNX room controller with 20 functions, LC display, room thermostat, app operation and two operating points. Switch light on and dim light, control blinds, initiate and save scenes, control temperature, manage colours, show status (LC display), Bluetooth interface for using the app. New functions with firmware update via ETS app.





Simple to operate Superb functionality Secure communication thanks to KNX Data Secure

The new Theben iON KNX tactile sensors are an excellent alternative to the binary inputs available so far. iON tactile sensors are flexible and, thanks to their frameless design, cut a stylish figure in any room. And by the way, the KNX push buttons support secure communication thanks to KNX Data Secure.

Theben iON KNX tactile sensors and room controller with integrated temperature sensor enable you to trigger various functions in KNX installations at the touch of a button.

For example

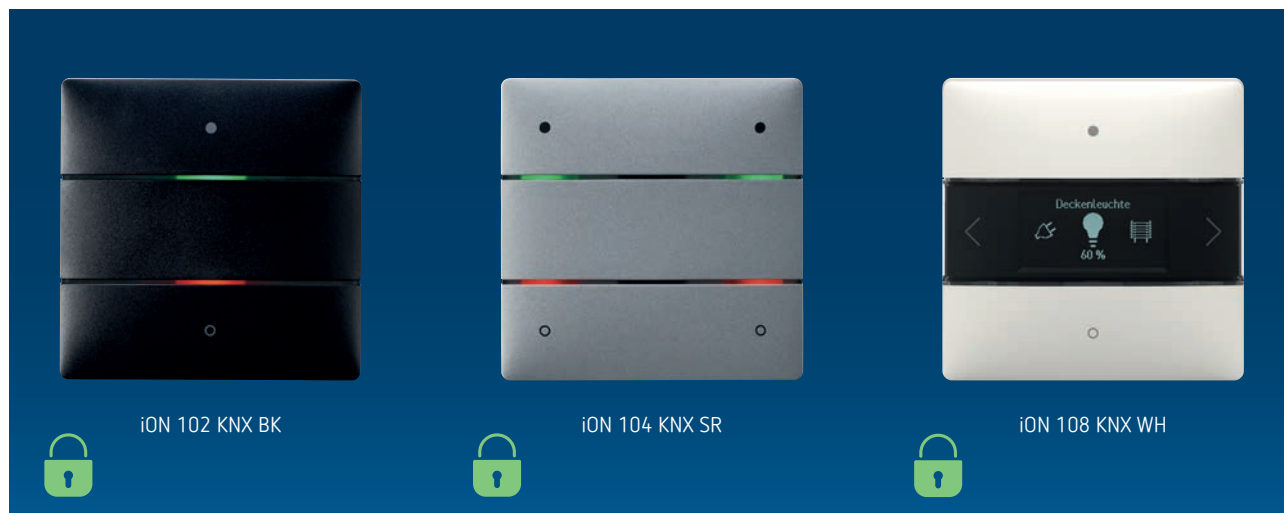
- switching light on/off and dimming
- adjusting lighting colours and calling up lighting scenarios
- raising and lowering blinds
- initiating and saving user-specific scenarios
- operating central or group functions

Theben iON KNX tactile sensors

are available in various designs: as a 1-way sensor (two buttons), as a 2-way sensor (four buttons) and as a room controller with LC display and Bluetooth interface. Depending on the device, up to 20 functions can be controlled with a single button. iON KNX tactile sensors stand out from the crowd thanks to their extensive functionality and exceptional ease of use. The iON 108 KNX room controller with LCD and integrated room thermostat features a Bluetooth interface to make it easier to use. All tactile sensors come with an integrated bus coupler and can be programmed without the ETS app.

House and building automation.KNX.Tactile sensors

KNX, Presence / motion detectors



Description

iON 102 KNX

- 2-way tactile sensor, KNX TP, Data Secure
- Tactile sensor with 2 buttons and 2 status LEDs with integrated temperature sensor
- Control of functions: switching, dimming, blinds, valuator, operating mode, scene, colour control, sequence
- Secure start-up and communication with support of KNX Data Secure
- Up to 3 different telegrams per button
- Send various telegrams using short clicks, long clicks or double clicks
- Multicoloured status LEDs with adjustable colours for each separate LED
- Behaviour of each status LED can be adjusted: static, flashing or pulsing
- Brightness of each status LED can be adjusted individually via object or parameter
- Automatic brightness control of status LEDs based on surrounding brightness
- Integrated temperature sensor for visualisation and temperature control via heating actuator technology

- Function monitoring via object (signalling dismounting)
- Vertical installation of 2 iON tactile sensors possible on standard double plug with accessories
- Clear cover for custom label included in scope of supply

iON 104 KNX

As with iON 102 KNX, but including:

- 4-way tactile sensor, KNX TP, Data Secure
- Tactile sensor with 4 buttons and 4 status LEDs with integrated temperature sensor

iON 108 KNX

- Room controller, 20 functions, KNX TP, Data Secure
- Integrated temperature controller to control and manage operating modes, temperatures and fan stages
- Access to room controller via Bluetooth and operation via the iONplay app
- Secure start-up and communication with support of KNX Data Secure

- LC display to show functions, icons and values
- Integrated temperature controller to control and manage operating modes, temperatures and fan stages
- 20 freely configurable functions
- Free allocation of icons to functions (40 icons to choose from)
- Control of functions: switching, dimming, blinds, valuator, operating mode, scene, colour control, sequence
- Display brightness can be adjusted individually via object or parameter
- Automatic brightness control of the display based on surrounding brightness
- Function monitoring via object (signalling dismounting)
- Vertical installation of 2 iON tactile sensors possible on standard double plug with accessories

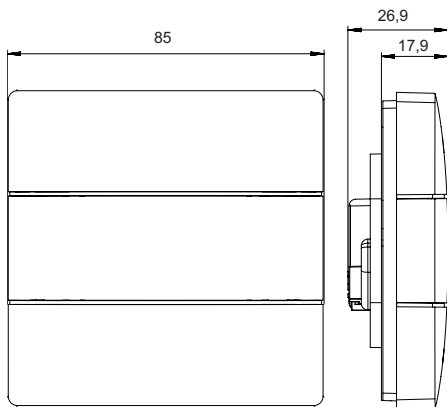
Product selection

Colour	Type	Item no.
White ○	iON 102 KNX	4969232
	iON 104 KNX	4969234
	iON 108 KNX	4969238
Black ●	iON 102 KNX BK	4969242
	iON 104 KNX BK	4969244
	iON 108 KNX BK	4969248
Silver ●	iON 102 KNX SR	4969252
	iON 104 KNX SR	4969254
	iON 108 KNX SR	4969268

Technical data

	iON KNX
KNX operating voltage	Bus voltage, ≤ 12.5 mA
Ambient temperature	-5 °C ... +45 °C
Protection rating	IP 20
Protection class	III

Scale drawings



Accessories



2-way iON mounting plate

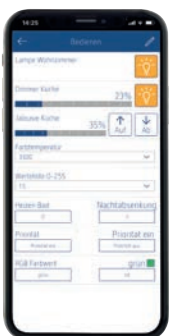
↳ Item no.: 9070822



2-way iON mounting plate BK

↳ Item no.: 9070855

Simple operation via app possible (iON 108 KNX)



House and building automation.KNX.Flush-mounted actuators

KNX, Presence / motion detectors



Description

Shared functions

- 1-way flush-mounted actuators for electric heating systems
- Easy installation thanks to highly compact housing
- Secure start-up and communication with support of KNX Data Secure
- For the direct connection of electric heating systems with high switching capacity
- Integrated temperature controller, can also be configured as an auxiliary heater
- "Additional stage" function for easy control of a second boiler
- 2 binary inputs for floating contacts such as buttons, switches, window contacts, temperature sensor (input I2)
- Integrated temperature monitoring for increased operating safety, e.g. in the event of overload
- The binary inputs are assigned to the output as standard (function test before programming)

EU 1 KNX

- 1-way flush-mounted actuator for electric heating systems 16 A KNX TP, Data Secure

EU 1 S RF KNX

- 1-way wireless flush-mounted actuator for electric heating systems 16 A KNX RF, Data Secure

Product selection

Configuration type	Number of channels	Type	Item no.
Actuator for electric heating systems	1	EU 1 KNX	4942542
Wireless actuator for electric heating systems	1	EU 1 S RF KNX	4941642

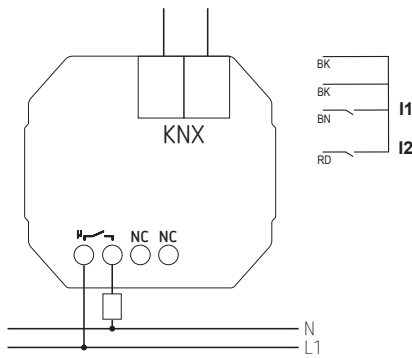
Technical data

	EU 1 KNX	EU 1 S RF KNX
KNX operating voltage	Bus voltage, $\leq 4 \text{ mA}$	
Operating voltage	-	230 – 240 V AC
Frequency	-	50 – 60 Hz
Switching capacity at 240 V AC, $\cos \varphi = 1$)	16 A	10 A
Minimum load	12 V/100 mA	
Ambient temperature	-5 °C ... +45 °C	
Protection rating	IP 20	
Protection class	II	

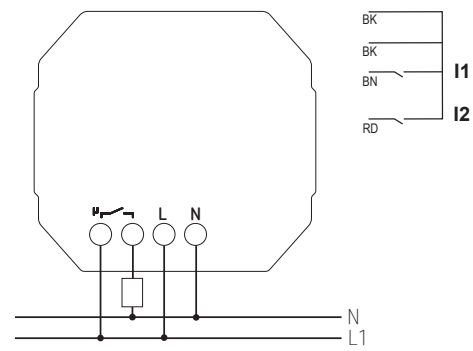
House and building automation. LUXOR living smart home system. Flush-mounted actuators

KNX, Presence / motion detectors

Connection example



EU 1 KNX



EU 1 S RF KNX

Accessories



RAMSES IP65 temp. sensor
↳ Item no.: 9070459

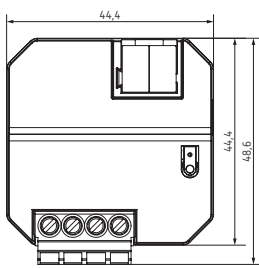


Floor sensor
↳ Item no.: 9070321

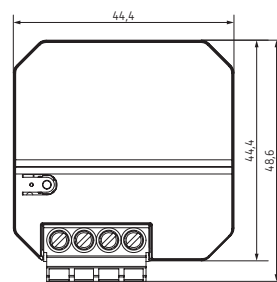
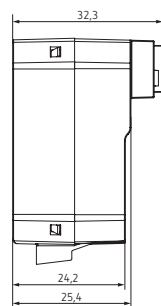


Flush-mounted temperature sensor
↳ Item no.: 9070496

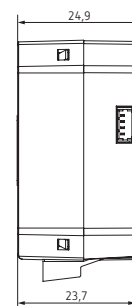
Scale drawings



EU 1 KNX

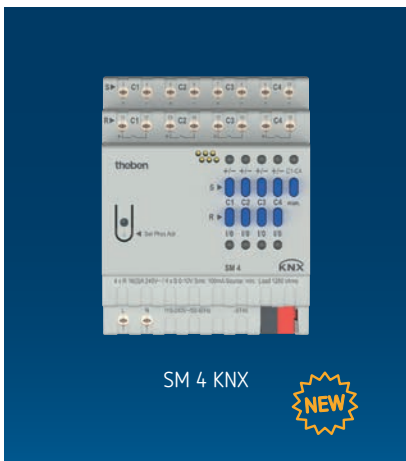


EU 1 S RF KNX



House and building automation.KNX.Switch/dimming actuator

KNX, Presence / motion detectors



Description

- 4-way switch/dimming actuator 10 A
133 μ F, KNX TP
- For controlling electrical consumers with 0 – 10 V or 1 – 10 V interface
- Flexible use of control and relay outputs
- Control outputs suitable for both active (0 – 10 V, source) and passive (1 – 10 V, sink) control, as well as mixed operation
- Supports colour and colour temperature control
- Simple start-up and programming in the ETS, without additional tools or ETS app
- Secure start-up and communication with support of KNX Data Secure
- Inrush current level max. 800 A, for the reliable switching of capacitive loads (ECG and LED drivers)

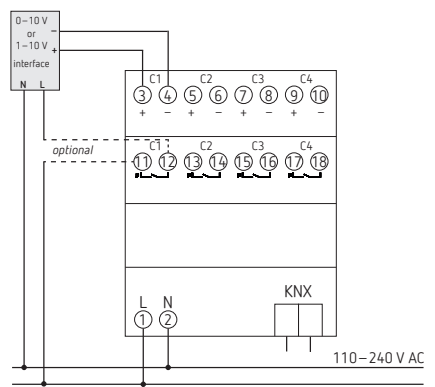
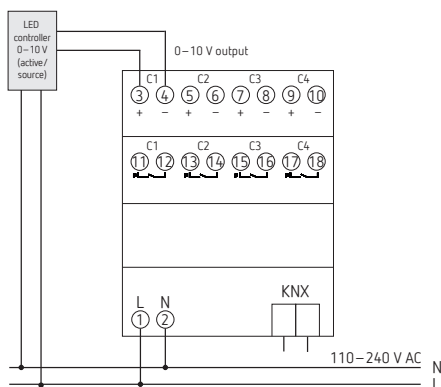
Product selection

Number of channels	Type	Item no.
4	SM 4 KNX	4940310

Technical data

	SM 4 KNX
KNX operating voltage	Bus voltage, ≤ 10 mA
Operating voltage	110 – 240 V AC
Frequency	50 – 60 Hz
Standby output	< 0.5 W
Width	4 modules
Max. cable cross-section	Solid wire: 0.5 mm ² up to 6 mm ² Stranded wire with crimp terminal: 0.5 mm ² to 4 mm ²
Type of contact	NO contact, 10 A ($\cos \phi = 1$), 3 A ($\cos \phi = 0.6$)
Incandescent/halogen lamp load	1200 W
LED lamp < 2 W (typ.)	55 W
LED lamp > 2 W (typ.)	600 W
Ambient temperature	-5 °C ... +45 °C
Protection rating	IP 20
Protection class	II

Connection example



House and building automation.Training kit KNX, Presence / motion detectors



Description

- LUXORliving training kit with various LUXORliving devices for training or practice purposes
- Contains 12 LUXORliving devices that can be activated and configured for training purposes
- The actions of the devices are realistically displayed via lights and LED panels on a building floor plan
- All components are clearly laid out to ensure an easy introduction to LUXORliving

Product selection

Type	Item no.
Smart home training kit	9070073



Description

- KNX training kit with various KNX devices for training or practice purposes
- Contains 12 KNX devices that can be activated and configured for training purposes
- The actions of the devices are realistically displayed via lights and LED panels on a building floor plan
- All components are clearly laid out to ensure an easy introduction to KNX

Product selection

Type	Item no.
KNX training kit	9070277

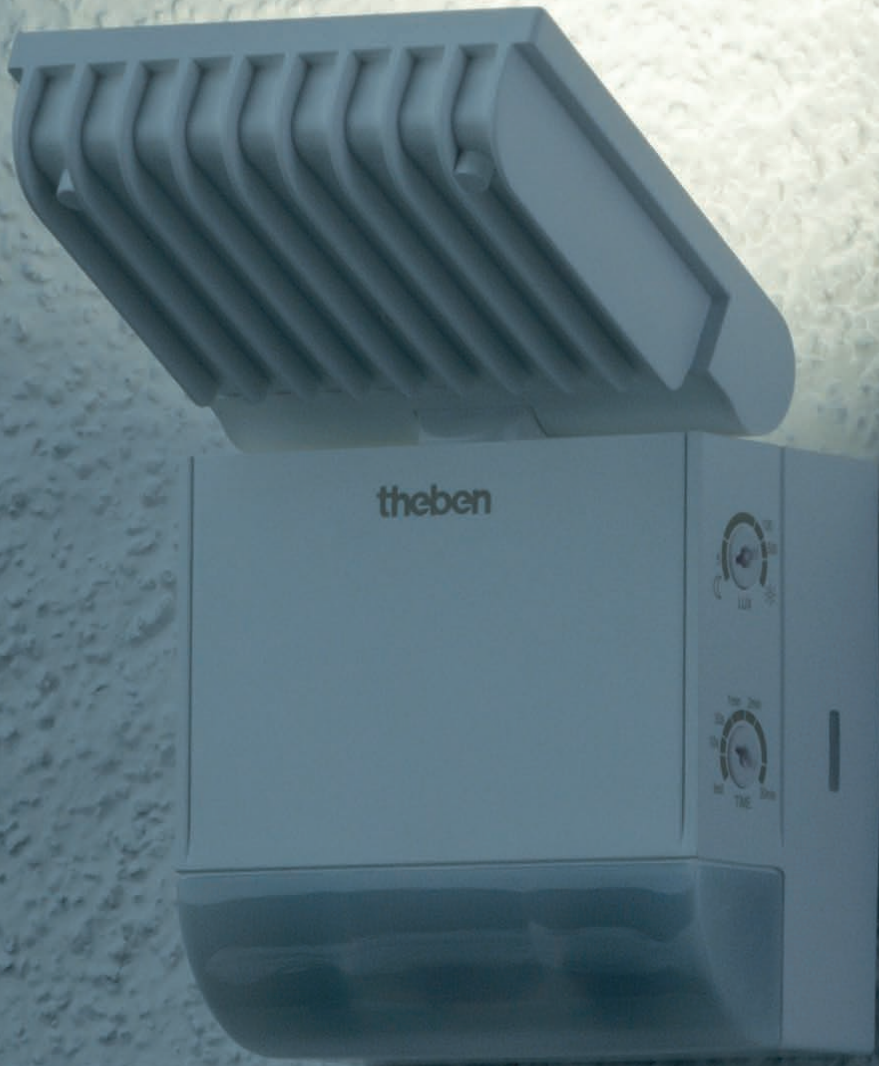
Brighter, warmer, more illuminating theLeda S LED spotlight

They turn night into day and reliably illuminate carports, gateways, terraces and paths at every turn: theLeda S LED spotlights with integrated motion detector.

The successful spotlight range is available in 4000 K (neutral white). And when it comes to saving energy, theLeda S spotlights are ahead of the pack: With just 0.4 W of standby power consumption, the motion detector works extremely efficiently. Whichever way you turn it, theLeda S spotlights provide the ideal illumination for your spaces. And speaking of turning: The LED panel of theLeda S8-100 can be rotated and tilted forwards to any angle. The two LED panels of theLeda S17-100 can be rotated and tilted.

Further information and technical data available at www.theben.de/en





theLeda S8-100 WH (1020800)

Presence and motion detector/LED spotlights.LED spotlights.With motion detector KNX, Presence / motion detectors



Description

Shared functions

- LED spotlight with integrated motion detector
- Lighting colour 4000 K
- Wall installation
- Additional output for switching other lights/loads
- Suitable for outdoor use
- Automatic lighting control based on presence and brightness

- 180° detection angle at 10 m range
- Area restriction via label
- Manual control possible via push button
- Test function
- Twilight switch function
- Can be connected by wire

theLeda S8-100

- 1 x 8.5 W LED spotlight

- Spotlight can be swivelled $\pm 40^\circ$ horizontally and adjusted 70° downwards, wall-wash functionality by swivelling 180°

theLeda S17-100

- 2 x 17 W LED spotlight
- Spotlight can be swivelled $\pm 20/45^\circ$ horizontally and adjusted 70° downwards

Product selection

Type of installation	LED	Colour temperature	Colour		Type	Item no.
Wall installation	8.5 W (900 lm)	4000 K, neutral white	White	○	theLeda S8-100 WH	1020800
			Black	●	theLeda S8-100 BK	1020801
	17 W (2 x 900 lm)	4000 K, neutral white	White	○	theLeda S17-100 WH	1020802
			Black	●	theLeda S17-100 BK	1020803

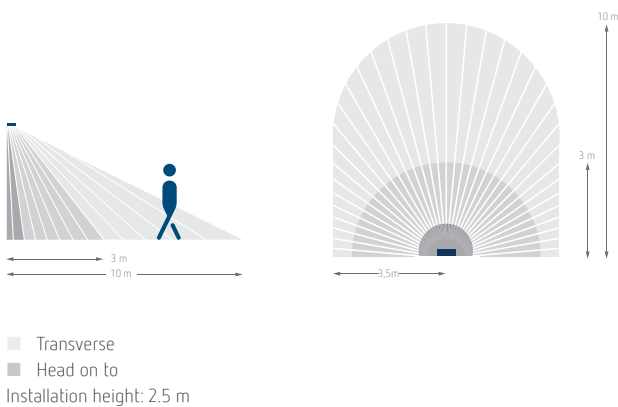
Technical data

	theLeda S8-100	theLeda S17-100
Operating voltage	230 V AC	
Frequency	50 Hz	
Standby output	0.5 W	
Brightness setting range	2 – 500 lx	
LED output (luminous flux)	900 lm	2 x 900 lm
Colour temperature	4000 K, neutral white	
Detection angle	180°	
Installation height	1.8 – 2.5 m	
Lighting time delay	10 s – 30 min	
Colour rendering index	CRI > 80	

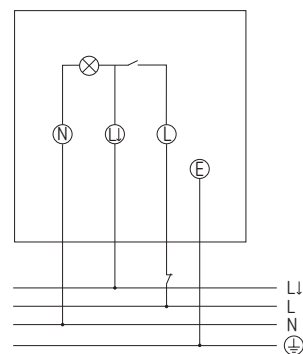
Presence and motion detector / LED spotlights. LED spotlights. With motion detector KNX, Presence / motion detectors

	theLeda S8-100	theLeda S17-100
Service life	L70/B50 50000 h	
LED lamp < 2 W (typ.)	20 W	
LED lamp > 2 W (typ.)	100 W	
Ambient temperature	-20 °C ... +55 °C	
Protection class	II	
Protection rating	IP 55	

Detection area (semicircle)



Connection example



Accessories



10 WH corner bracket
↳ Item no.: 9070969



Abstandsrahmen1 0 WH
↳ Item no.: 9070971

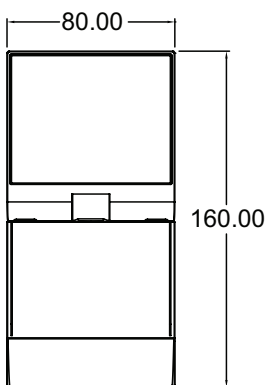


10 BK corner bracket
↳ Item no.: 9070987

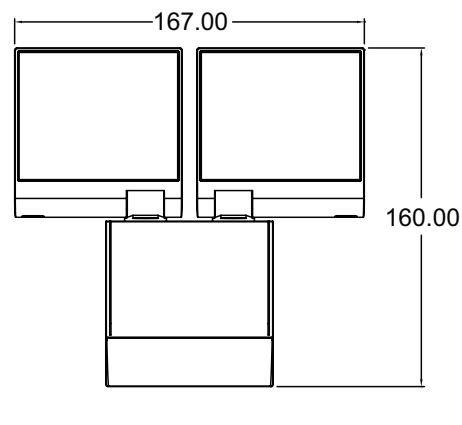


10 BK spacer frame
↳ Item no.: 9070988

Scale drawings



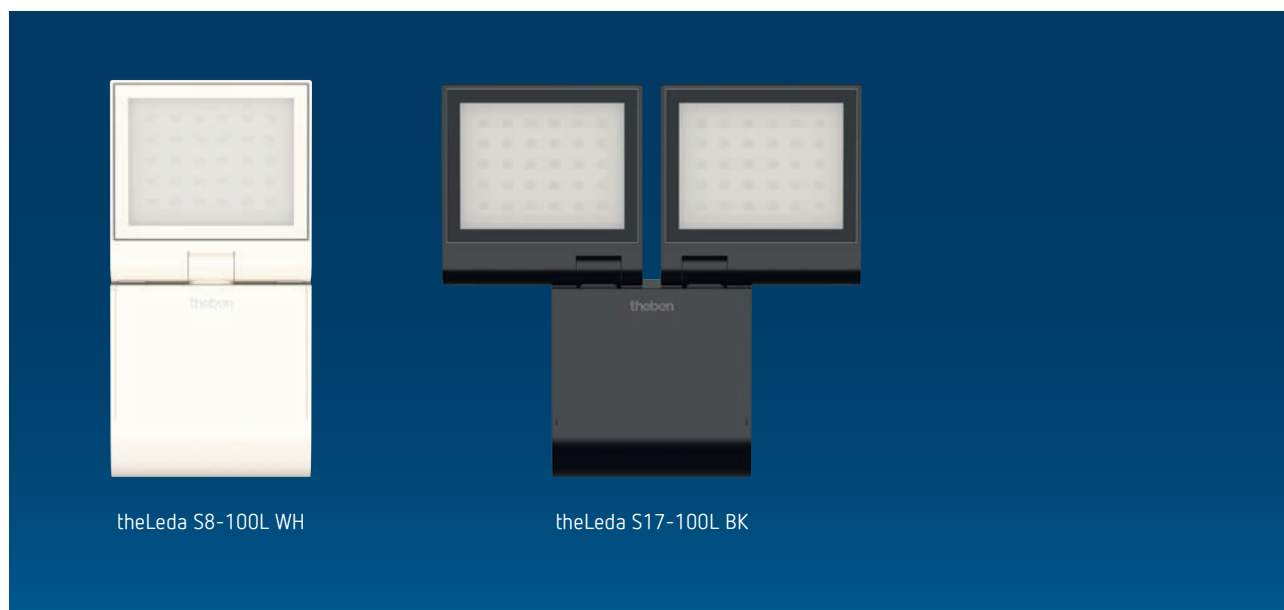
theLeda S8-100



theLeda S17-100

Presence and motion detector/LED spotlight.LED spotlight

KNX, Presence / motion detectors



Description

Shared functions

- LED spotlight
- Lighting colour 4000 K
- Wall installation
- Suitable for outdoor use
- Can be connected by wire

theLeda S8-100

- 1 x 8.5 W LED spotlight
- Spotlight can be swivelled $\pm 40^\circ$ horizontally and adjusted 70° downwards, wall-wash functionality by swivelling 180°

theLeda S17-100

- 2 x 17 W LED spotlight
- Spotlight can be swivelled $\pm 20/45^\circ$ horizontally and adjusted 70° downwards

Product selection

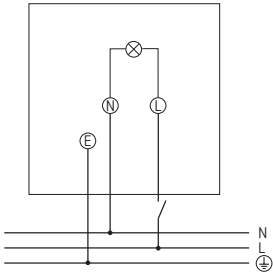
Type of installation	LED	Colour temperature	Colour	Type	Item no.
Wall installation	8.5 W (900 lm)	4000 K, neutral white	White ○	theLeda S8-100L WH	1020600
			Black ●	theLeda S8-100L BK	1020601
	17 W (2 x 900 lm)	4000 K, neutral white	White ○	theLeda S17-100L WH	1020602
			Black ●	theLeda S17-100L BK	1020603

Technical data

	theLeda S8-100L	theLeda S17-100L
Operating voltage	230 V AC	
Frequency	50 Hz	
Standby output	0.5 W	
LED output (luminous flux)	900 lm	2 x 900 lm
Colour temperature	4000 K, neutral white	
Installation height	1.8 – 2.5 m	
Colour rendering index	CRI > 80	
Service life	L70/B50 50000 h	
Ambient temperature	-20 °C ... +55 °C	
Protection class	II	
Protection rating	IP 55	

Presence and motion detector/LED spotlight. LED spotlight KNX, Presence/motion detectors

Connection example



Accessories



10 WH corner bracket
↳ Item no.: 9070969



Abstandsrahmen1 0 WH
↳ Item no.: 9070971

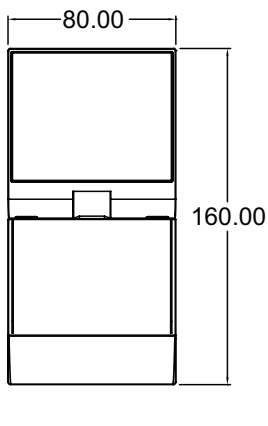


10 BK corner bracket
↳ Item no.: 9070987

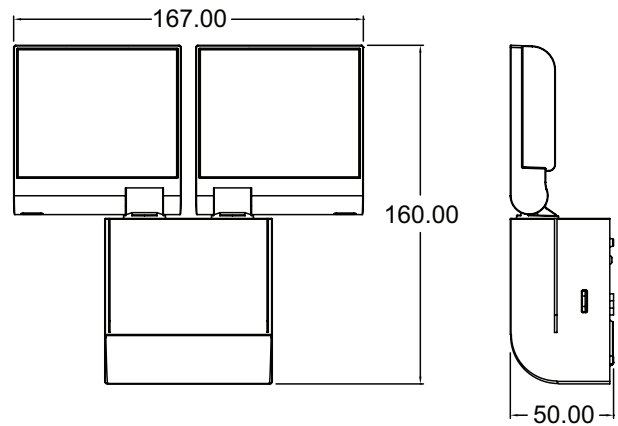


10 BK spacer frame
↳ Item no.: 9070988

Scale drawings



theLeda S8-100



theLeda S17-100

NEW





DIMAX 540 plus B

Description

- Flush-mounted dimmer for R and C loads
- Optimised settings for LEDs, incandescent and halogen lamps
- Fully encapsulated electronics
- No neutral conductor required
- Small design, perfect for retrofitting
- Temperature switch-off
- Overcurrent switch-off
- Short circuit fuse
- Memory function saves the most recently set light level value and then dims to this value the next time it is switched on
- Minimum brightness function

Product selection

Optimised for LEDs	Type	Item no.
✓	DIMAX 540 plus B	54000130

Technical data

	DIMAX 540 plus B
Operating voltage	230 V AC
Frequency	50 – 60 Hz
Standby output	0.34 W
Incandescent/halogen lamp load	150 W
LED lamp (typ.)	150 W
Ambient temperature	-10 °C ... +45 °C

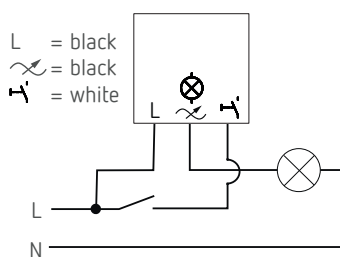
Accessories



LED compensation module

↳ Item no.: 9070825

Connection example





Digital plug-in timer theben-eltimo top3 More convenience, less power consumption

Extra convenience

Wake up to your favourite music and the smell of coffee instead of an unpleasant alarm tone.

Presence simulation (integrated random function)

Programme multiple time switches around your home with different times. This makes the house appear occupied, protecting it against break-ins. Can also be season-dependent with the Astro program.

Energy saving

Run electrical appliances without a power-guzzling standby mode.

Offline digital switching

of voice assistants such as Alexa, WiFi routers, repeaters and much more besides.

The classic application

Switching Christmas lights on and off.

Lifesaver

Supply light and air to your aquarium exactly as required

Air purifier

Reduce operating hours, maintenance cycles and operating costs

Time and lighting control

Digital time switches, socket-intermediate connectors



Description

Shared functions

- Digital plug-in timer
- App programming possible via optional Bluetooth Low Energy with OBELISK top3
- Maximum security against tampering, time switch programs can only be transferred from the app to the timer if the Bluetooth OBELISK top3 is plugged into the timer
- Use with earthed sockets
- 1 channel
- Easy operation via push buttons for the program function, day of the week, hour and minute
- ON-OFF switching times
- Switching preselection
- Permanent ON/OFF switching
- Random program
- Automatic summer-winter time changeover

theben-eltimo 020 top3

- Digital plug-in timer with weekly program

theben-eltimo 020 Astro top3

- Digital plug-in time switch with weekly and Astro program

Product selection

Program	Number of channels	Memory locations	Time basis	Operating voltage	Type	Item no.
Weekly program	1	56	Quartz	230 V AC	theben-eltimo 020 top3	0200130
Weekly program, Astro program	1	56	Quartz	230 V AC	theben-eltimo 020 Astro top3	0200170

Technical data

	theben-eltimo 020 top3
Operating voltage	230 V AC
Frequency	50 Hz
Type of installation	Socket-intermediate connector
Type of contact	NO contact
Power reserve	6 years
Switching capacity at 250 V AC, cos \varnothing = 1	16 A
Switching capacity at 250 V AC, cos \varnothing = 0.6	10 A
LED lamp < 2 W (typ.)	30 W
LED lamp > 2 W (typ.)	300 W
Incandescent/halogen lamp load	2600 W
Switching load	3680 W
Shortest switching time	1 min
Time accuracy at 25 °C	$\leq \pm 0.25$ s/day (Quartz)
Standby output	0.5 W
Protection rating	IP 20
Protection class	II for housing, I for plug system as per EN 62 730-1
Ambient temperature	-10 °C ... +40 °C

theben

Theben AG
72401 Haigerloch · Germany
Phone +49 7474 692-0
info@theben.de · www.theben.de/en

Service hotline

hotline@theben.de
Phone +49 7474 692-369
Monday to Thursday: 7 am to 6 pm, Friday: 7 am to 4 pm



9900554 · 3222

Subject to technical changes and
improvements.

